

Betriebsanleitung
Operating Instructions
Instructions de service
Istruzioni d'uso
Handleiding
Instrucciones para el manejo
Manual de instruções
Naudojimosi instrukcija
Kasutusjuhend
Lietošanas instrukcija
Οδηγίες χρήσης
取扱説明書
사용설명서

Driftsinstruks
Driftsinstruktioner
Käyttöohje
Driftsvejledning
Instrukcja obsługi
Kezelési útmutató
Návod k obsluze
Navodilo za uporabo
Návod na obsluhu
EI Kitabi
Инструкция по эксплуатации
使用说明书

U 4.165

2006/42/EG




DIN EN ISO 14001:2005

DIN EN ISO 9001
001929 QM

<p>Becker Lube M/S/SL 100 ▷ 7,0 Liter</p>	<p>MAX. VACUUM</p>	<p>mbar</p>
	<p>DIN EN ISO 3744</p>	<p> $L_{pA} = 71 \text{ dB(A)} - 50\text{Hz}$ $L_{pA} = 74 \text{ dB(A)} - 60\text{Hz}$ $K_{pA} = 3 \text{ dB(A)}$ </p>

<p>129 kg 284.5 lbs</p>	<p> $A > 100\text{mm}$ $A > 4''$ </p>	<p> $> 5^\circ\text{C}/41^\circ\text{F}$ $< 40^\circ\text{C}/104^\circ\text{F}$ </p>	<p>max. 90%</p>	<p>max. 800m</p>
<p>1</p>	<p>2</p>			


28100026300 05/11

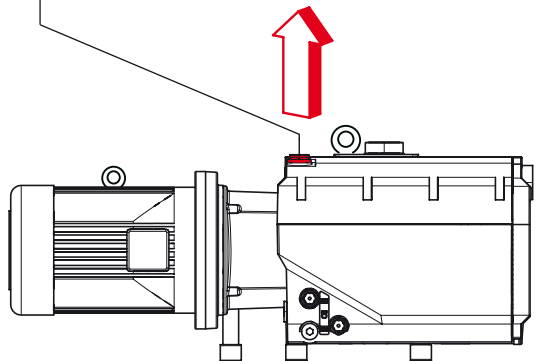
 **7,0 Liter**

Becker Lube **M 100** (Mineral oil)
 ▷ No.: 96000900000 (1l)
 ▷ No.: 96000900200 (5l)

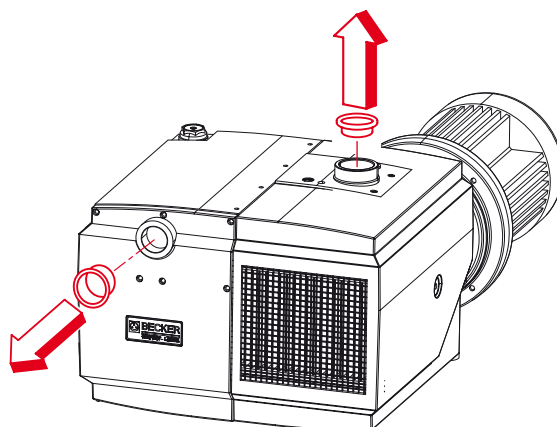
Becker Lube **S 100** (Synthetic oil)
 ▷ No.: 96001600100 (1l)
 ▷ No.: 96001600200 (5l)

Becker Lube **SL 100 Food**
 ▷ No.: 96002300100 (1l)
 ▷ No.: 96002300200 (5l)


MAX 

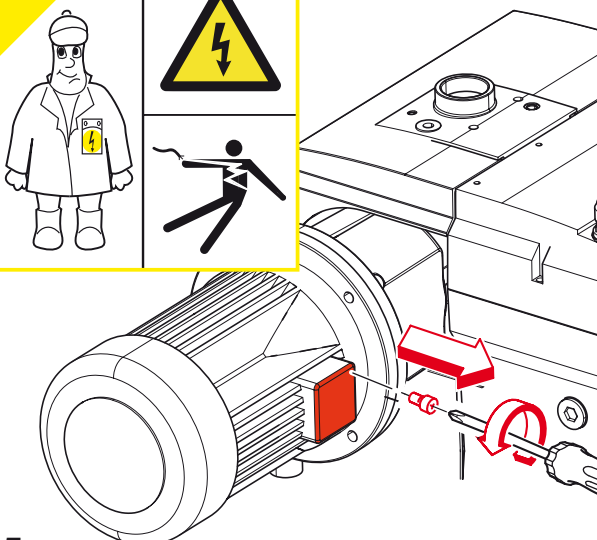


3




4

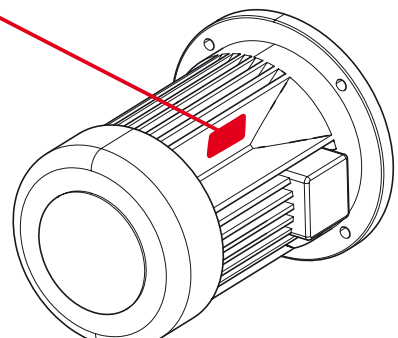




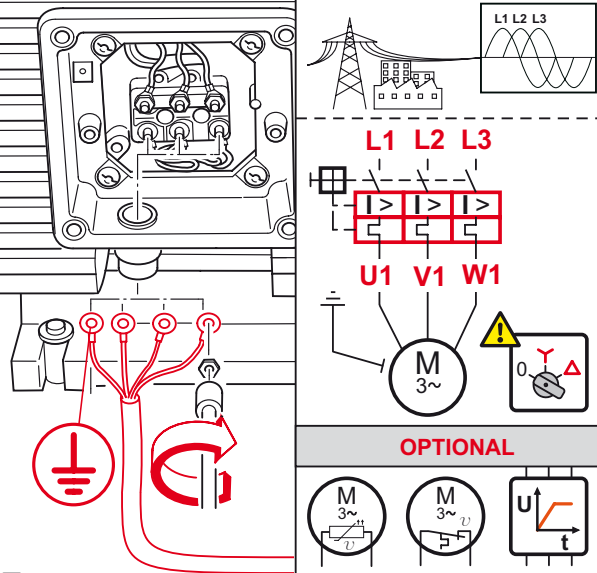
5



BECKER		Mat.Nr. XXXXXX	ENXXXX	CE
NoUp. xxxxxx		3~Mot. XXXXXXXX	xx	
50 Hz	XXKW	60 Hz	XXKW	
XXX-XXX / XXX-XXX V Δ / Y	XXX-XXX / XXX-XXX V Δ / Y	XXX-XXX / XXX-XXX V Δ / Y	XXX-XXX / XXX-XXX V Δ / Y	
XX-XX / XX-XX A	XX-XX / XX-XX A	XX-XX / XX-XX A	XX-XX / XX-XX A	
cos φ 0.XX-0.XX	cos φ 0.XX-0.XX	cos φ 0.XX-0.XX	cos φ 0.XX-0.XX	
XXXX-XXXX /min	XXXX-XXXX /min	XXXX-XXXX /min	XXXX-XXXX /min	XX kg



6



L1 L2 L3


U1 V1 W1

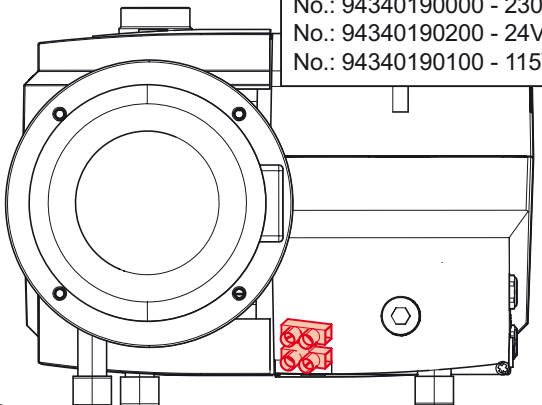
M 3~

OPTIONAL

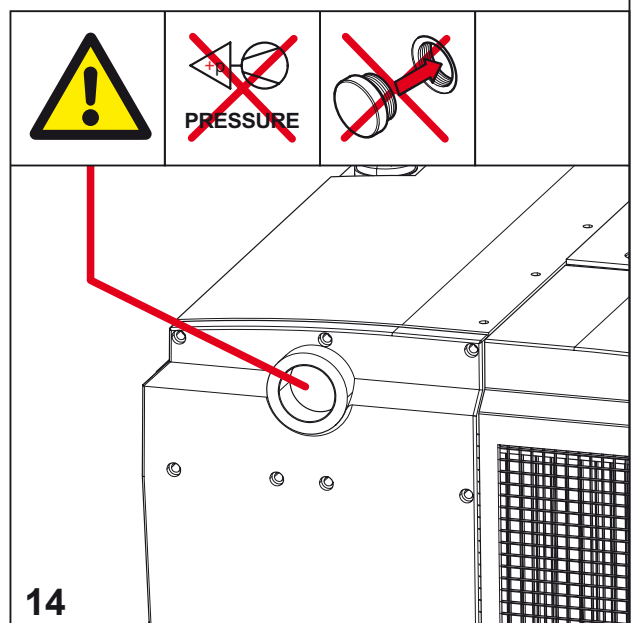
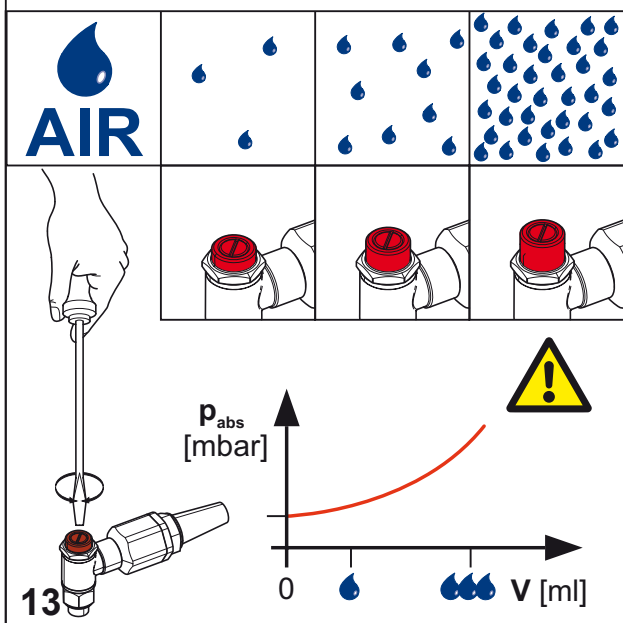
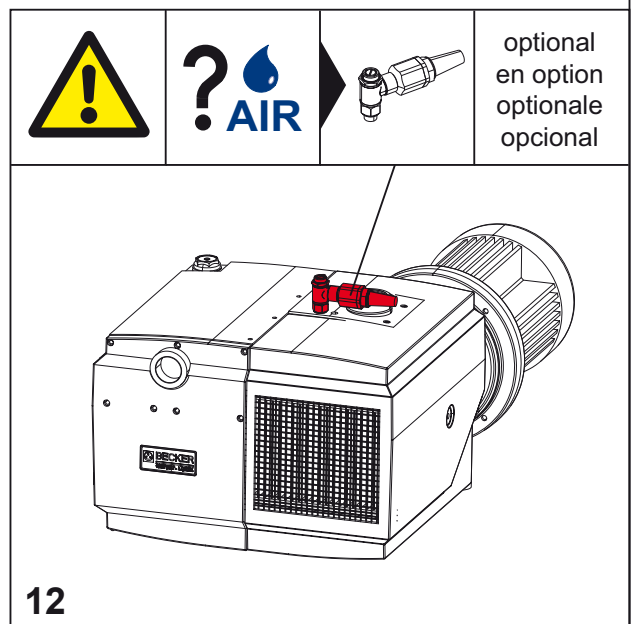
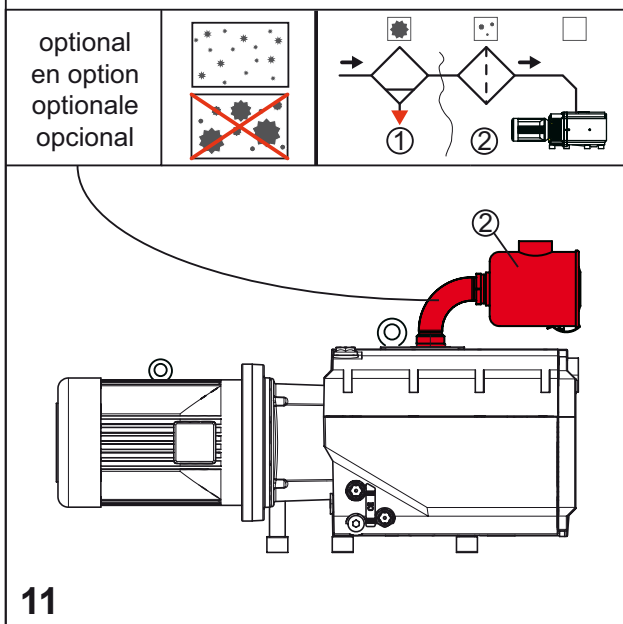
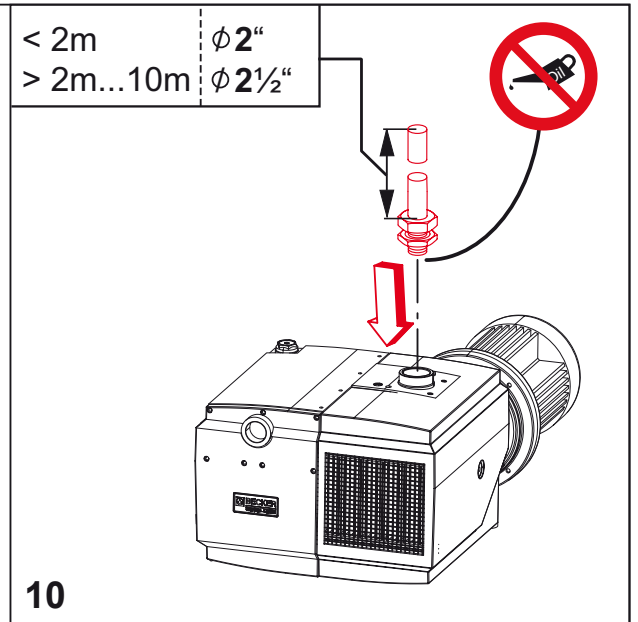
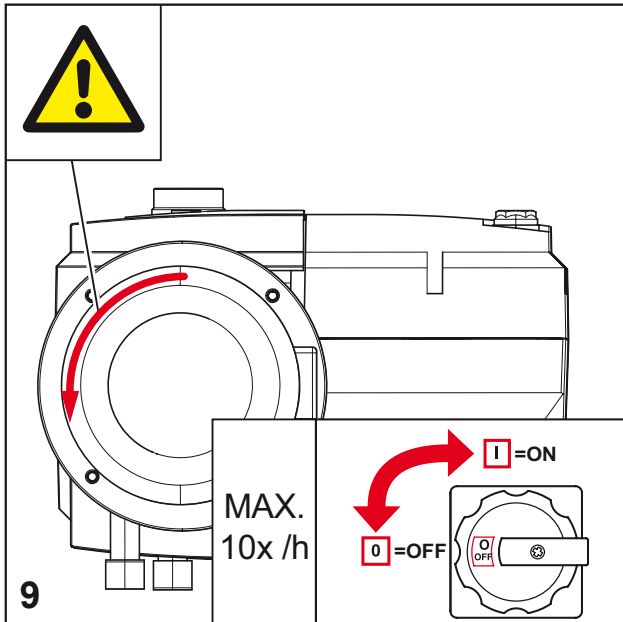
PTC **Bi-metal** **Softstart**

7

Pt 100	optional en option optionale opcional	
T_{MAX}	No.: 94340190000 - 230V No.: 94340190200 - 24VDC No.: 94340190100 - 115V	



8



A.

Worker in protective gear, fire hazard, hand injury, and gloves.

B.

Electrical hazard, power switch OFF, lock, and speed setting $n=0 \text{ min}^{-1}$.

2-3 Min

C.

MAX
MIN

40 h

Becker Lube
M/S/SL 100

D.

E.


1. = 100 h
2. = 1.000 h
3. = 2.000 h
... (min. 2x/a)

12

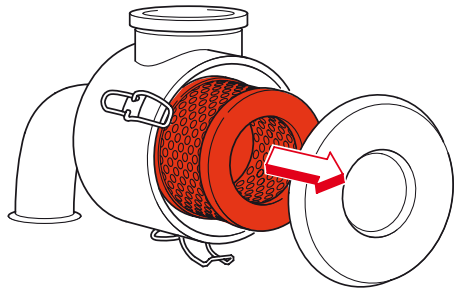
F.

7,0 Liter

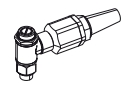
Becker Lube **M 100** (Mineral oil)
 ▷ No.: 96000900000 (1)
 ▷ No.: 96000900200 (5)
 Becker Lube **S 100** (Synthetic oil)
 ▷ No.: 96001600100 (1)
 ▷ No.: 96001600200 (5)
 Becker Lube **SL 100 Food**
 ▷ No.: 96002300100 (1)
 ▷ No.: 96002300200 (5)



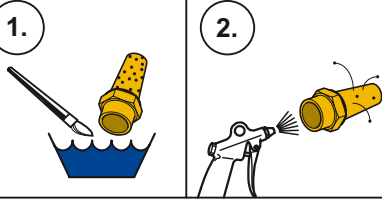
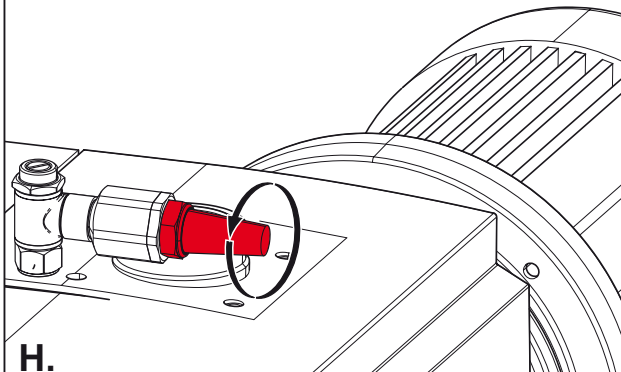
40 - 200 h **AIR ?**




G.



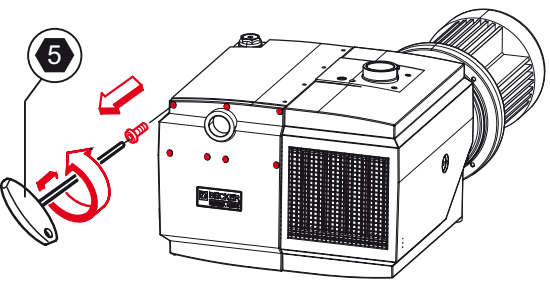
1000 h


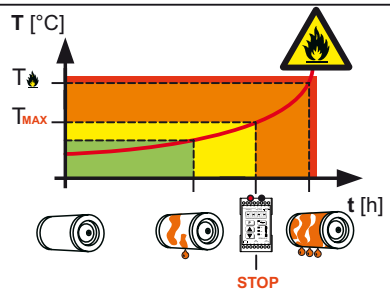
H.




2000 h




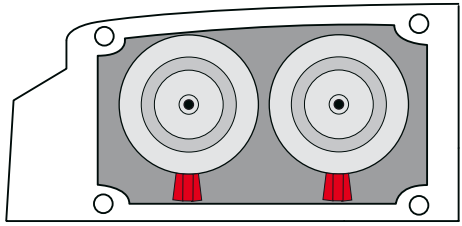
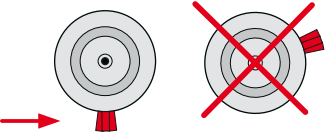
I.


J.



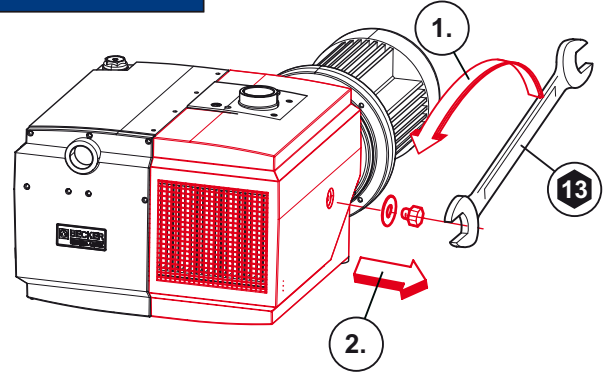
2x Pos. 83
No.: 96541500000

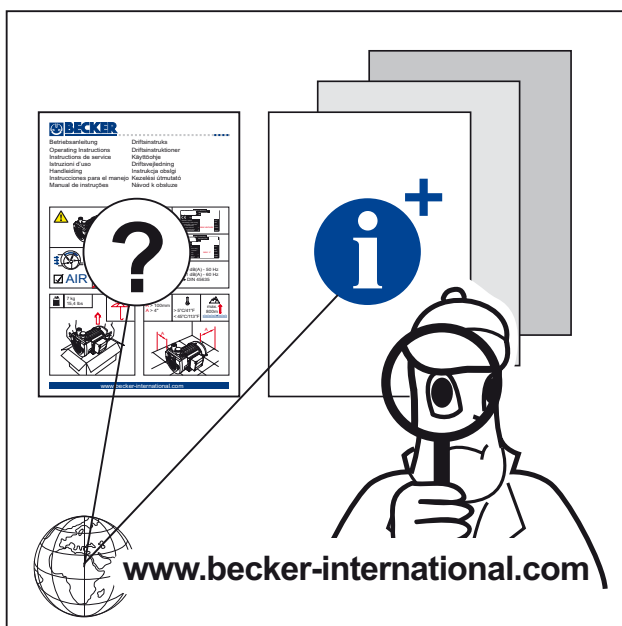
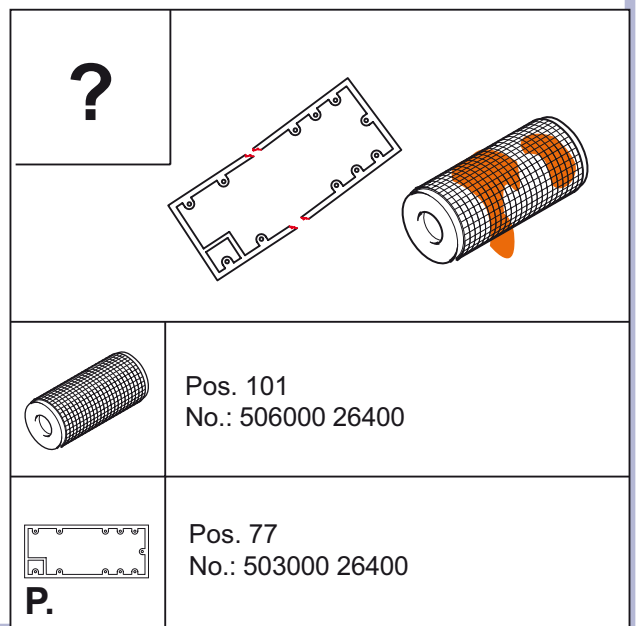
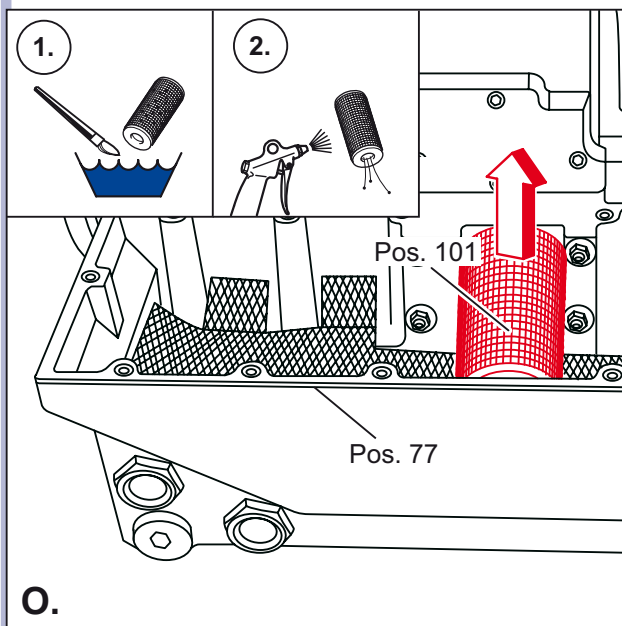
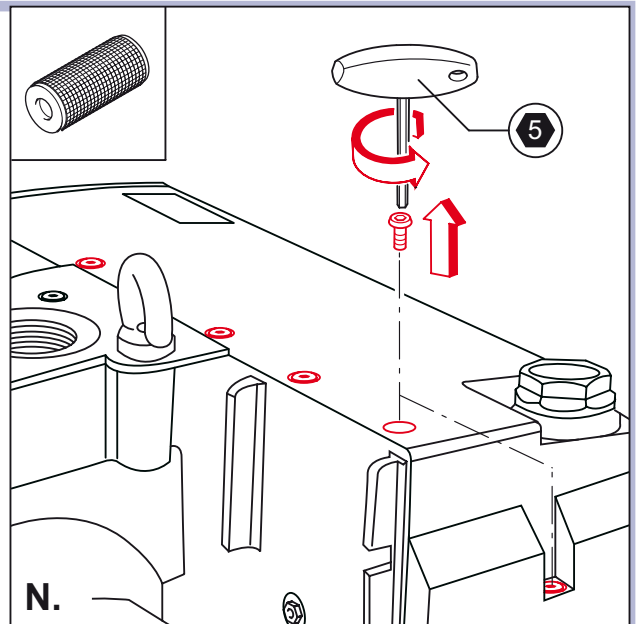
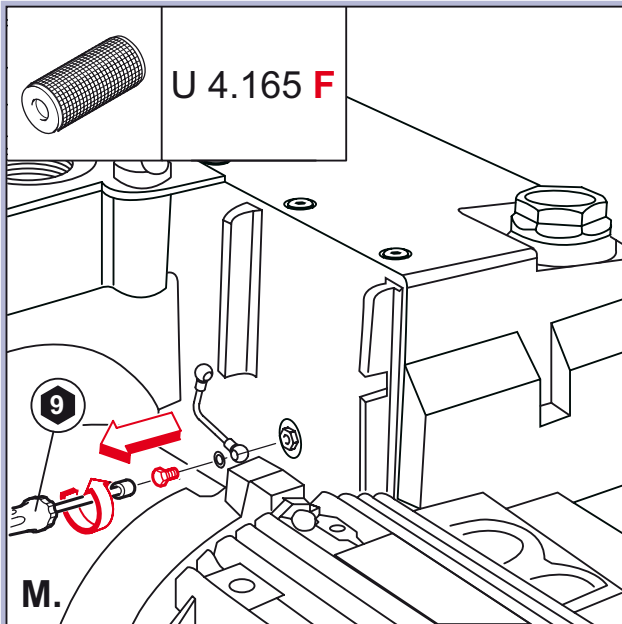
K.



5000 h



L.



BECKER

Gebr. Becker GmbH
Hölker Feld 29-31
D-42279 Wuppertal
info@becker-international.com

SERVICE
www.becker-international.com
Sales and service network